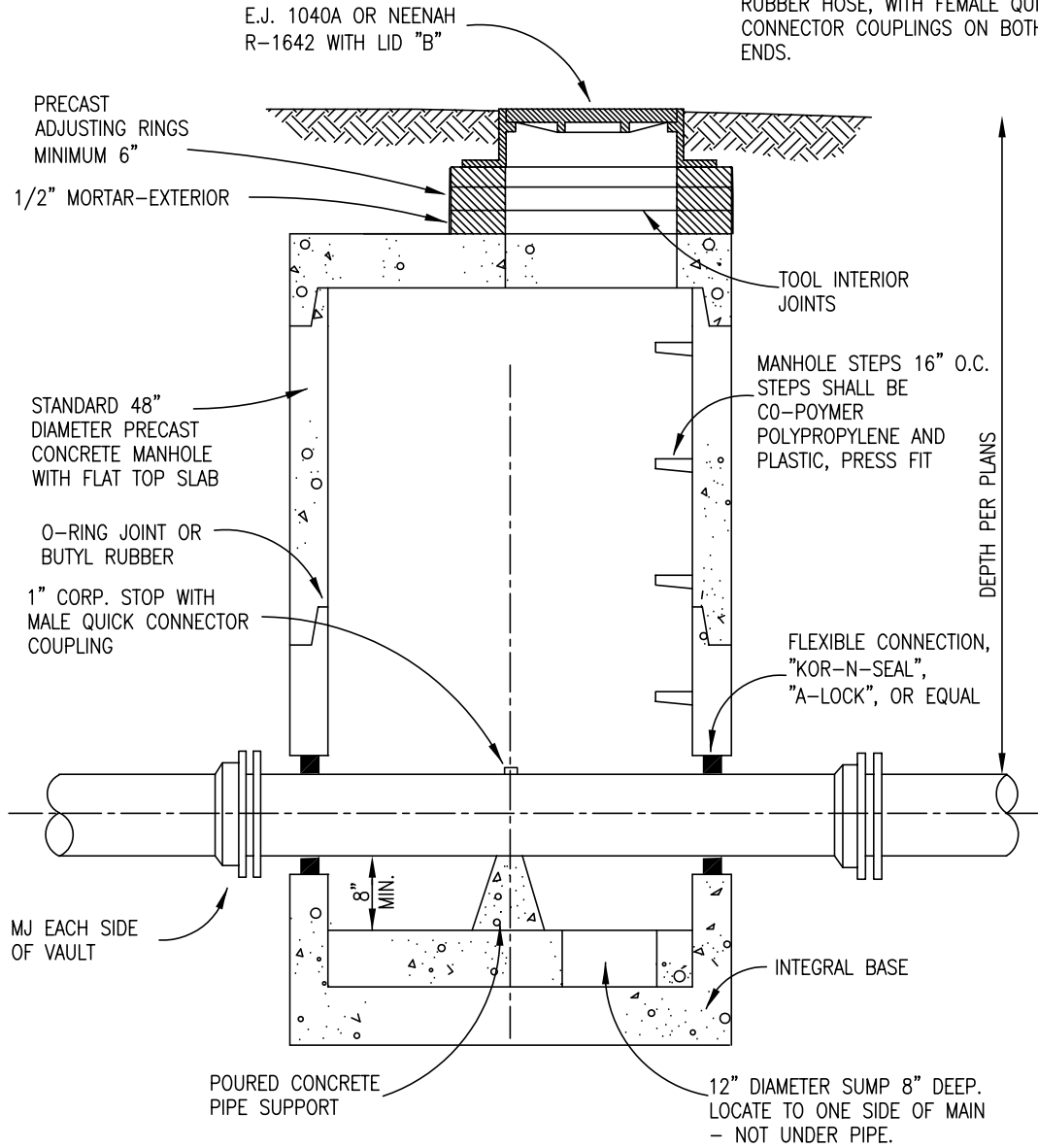


NOTE:
 THE CONTRACTOR SHALL FURNISH TO
 THE OWNER A 25 FOOT LONG 3/4"
 I.D. DOUBLE LAYER REINFORCED
 RUBBER HOSE, WITH FEMALE QUICK
 CONNECTOR COUPLINGS ON BOTH
 ENDS.



AIR RELEASE MANHOLE DETAIL

NO SCALE

APPROVED DATE: 7-26-02
 DETAIL: 825-6A

City of Eaton Rapids

September, 2002